

Cam-Lok® “J” Power Series

E1015 Series



E1015-8313



E1015-8333

All Cam-Lok part numbers available in convenient, single-use, color-coded packaging. See page 75 for details.

NON-VULCANIZED		MALE PLUGS				
COLOR	CABLE SIZE	COMPLETE PART NO.	CONTACT ONLY PART NO.	INSULATOR ONLY PART NO.		
BLACK		E1015-8306		A100869-7		
RED		E1015-8308		A100869-9		
GREEN		E1015-8310		A100869-11		
WHITE	#8-#4	E1015-8311	A100864-1	A100869-12		
BLUE		E1015-8313		A100869-14		
BROWN		E1015-8314		A100869-15		
ORANGE		E1015-8309		A100869-10		
YELLOW		E1015-8307		A100869-8		
SET SCREW						

NON-VULCANIZED		FEMALE PLUGS				
COLOR	CABLE SIZE	COMPLETE PART NO.	CONTACT ONLY PART NO.	INSULATOR ONLY PART NO.		
BLACK		E1015-8331		A100868-7		
RED		E1015-8333		A100868-9		
GREEN		E1015-8335		A100868-11		
WHITE	#8-#4	E1015-8336	A100865-1	A100868-12		
BLUE		E1015-8338		A100868-14		
BROWN		E1015-8339		A100868-15		
ORANGE		E1015-8334		A100868-10		
YELLOW		E1015-8332		A100868-8		
SET SCREW						

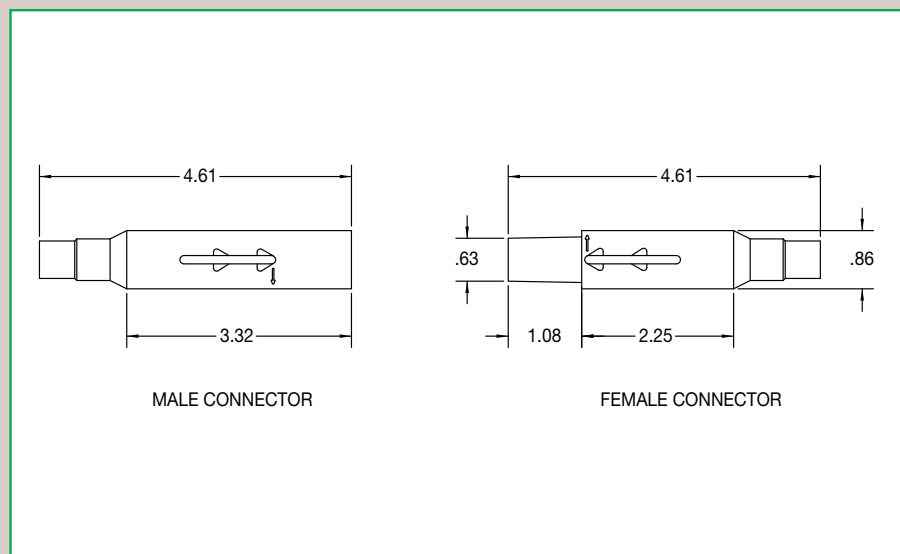
CAM-LOK “J” POWER SERIES
RECEPTACLES AND PLUGS PROVIDE THE MEANS TO QUICKLY CONNECT AND DISCONNECT POWER SYSTEMS SAFELY AT CONCERTS AND CARNIVALS, AS WELL AS CONNECTING GENERATORS, STANDBY POWER, AND LOAD TESTING IN HOSPITALS, UTILITIES AND HEAVY INDUSTRIAL ENVIRONMENTS.

RATINGS: 600 VOLTS UP TO 150 AMPERES CONTINUOUS

STANDARD MATERIALS
CABLE SIZE: #8 - #4
CONNECTOR SLEEVE: TPE
CONTACT: BRASS

AGENCY APPROVALS
UL LISTED E67181
CSA CERTIFIED LR13963

ENVIRONMENTAL RATING: NEMA 3R



Cam-Lok® “J” Power Series



All Cam-Lok part numbers available in convenient, single-use, color-coded packaging.
See page 75 for details.

VULCANIZED		MALE PLUG		
COLOR	CABLE SIZE	COMPLETE PART NO.	CONTACT ONLY PART NO.	INSULATOR ONLY PART NO.
BLACK		E1015-1		A100092-1
RED		E1015-3		A100092-3
GREEN		E1015-5		A100092-5
WHITE		E1015-6		A100092-6
BLUE	#8-#4	E1015-19	A100087-1	A100092-7
BROWN		E1015-22		A100092-8
ORANGE		E1015-4		A100092-4
YELLOW		E1015-2		A100092-2

VULCANIZED		FEMALE PLUG		
COLOR	CABLE SIZE	COMPLETE PART NO.	CONTACT ONLY PART NO.	INSULATOR ONLY PART NO.
BLACK		E1015-50		A100093-1
RED		E1015-52		A100093-3
GREEN		E1015-54		A100093-5
WHITE		E1015-55		A100093-6
BLUE	#8-#4	E1015-47	A100088-1	A100093-14
BROWN		E1015-44		A100093-15
ORANGE		E1015-53		A100093-4
YELLOW		E1015-51		A100093-2

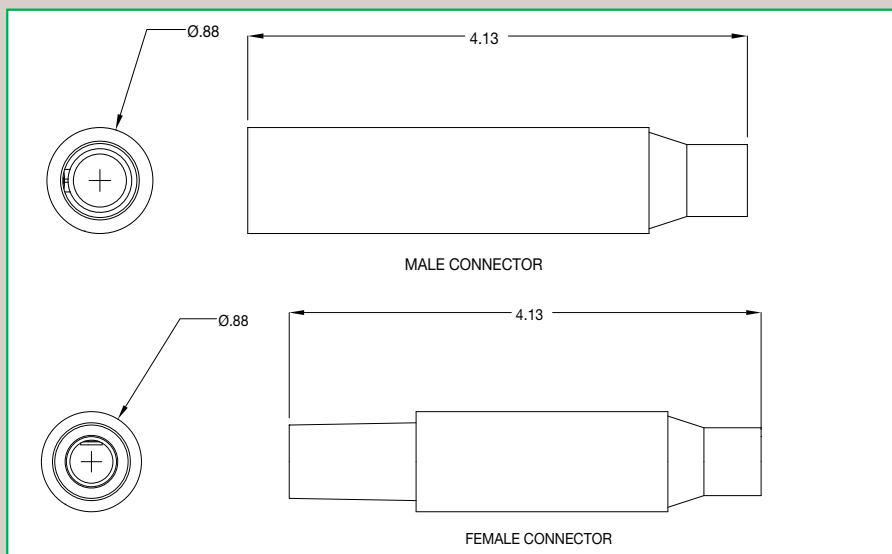


E1015-3



E1015-55

E1015 Series



CAM-LOK “J” POWER SERIES
RECEPTACLES AND PLUGS PROVIDE THE MEANS TO QUICKLY CONNECT AND DISCONNECT POWER SYSTEMS SAFELY AT CONCERTS AND CARNIVALS AS WELL AS CONNECTING GENERATORS, STANDBY POWER, AND LOAD TESTING IN HOSPITALS, UTILITIES AND HEAVY INDUSTRIAL ENVIRONMENTS.

RATINGS: 600 VOLTS UP TO 150 AMPERES CONTINUOUS

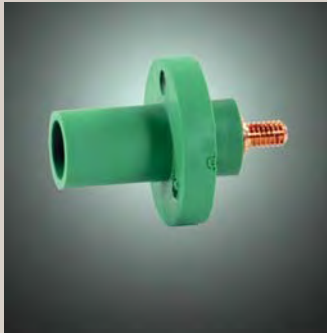
STANDARD MATERIALS
CABLE SIZE: #8 - #4
CONNECTOR SLEEVE: SYNTHETIC RUBBER
CONTACT: BRASS

AGENCY APPROVALS
UL LISTED E67181
CSA CERTIFIED LR13963

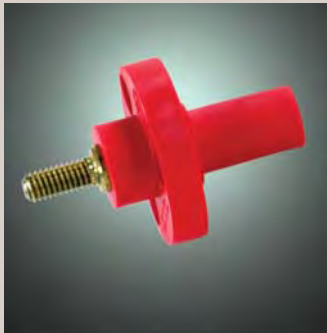
ENVIRONMENTAL RATING: NEMA 4

Cam-Lok® “J” Power Series

E1015 Series



E1015-1604



E1015-1625

All Cam-Lok part numbers available in convenient, single-use, color-coded packaging. See page 75 for details.

THREADED STUD		MALE RECEPTACLE
COLOR	CABLE SIZE	COMPLETE PART NO.
BLACK		E1015-1600
RED		E1015-1602
GREEN		E1015-1604
WHITE	#8-#4	E1015-1605
BLUE		E1015-1606
BROWN		E1015-1607
ORANGE		E1015-1603
YELLOW		E1015-1601

THREADED STUD		FEMALE RECEPTACLE
COLOR	CABLE SIZE	COMPLETE PART NO.
BLACK		E1015-1625
RED		E1015-1627
GREEN		E1015-1629
WHITE	#8-#4	E1015-1630
BLUE		E1015-1631
BROWN		E1015-1632
ORANGE		E1015-1628
YELLOW		E1015-1626

Stud size 5/16", torque 15 ft. lbs.

FEMALE TERMINAL CONNECTORS			
COLOR	CABLE SIZE	ANGLE STYLE COMPLETE PART NO.	OFFSET STYLE COMPLETE PART NO.
BLACK		E1015-575	E1015-625
RED		E1015-577	E1015-627
GREEN		E1015-579	E1015-629
WHITE	#8-#4	E1015-580	E1015-630
BLUE		E1015-581	E1015-631
BROWN		E1015-589	E1015-632
ORANGE		E1015-578	E1015-628
YELLOW		E1015-576	E1015-626

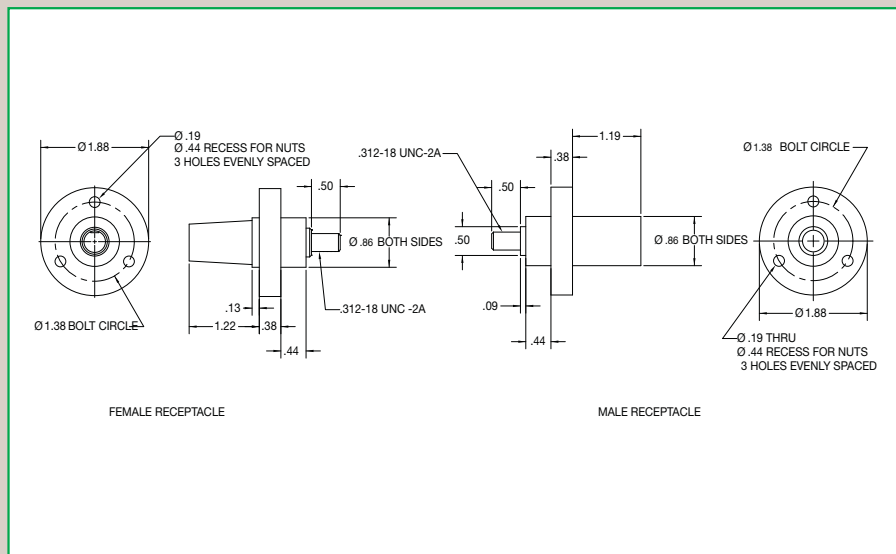
CAM-LOK “J” POWER SERIES
RECEPTACLES AND PLUGS PROVIDE THE MEANS TO QUICKLY CONNECT AND DISCONNECT POWER SYSTEMS SAFELY AT CONCERTS AND CARNIVALS AS WELL AS CONNECTING GENERATORS, STANDBY POWER, AND LOAD TESTING IN HOSPITALS, UTILITIES AND HEAVY INDUSTRIAL ENVIRONMENTS.

RATINGS: 600 VOLTS UP TO 150 AMPERES CONTINUOUS

STANDARD MATERIALS
CABLE SIZE: #8 - #4
RECEPTACLE/TERMINAL BODY: TPE/
SYNTHETIC RUBBER
CONTACT: BRASS

AGENCY APPROVALS
UL LISTED E67181
CSA CERTIFIED LR13963

ENVIRONMENTAL RATING: NEMA 3R



Cam-Lok® “J” Power Series



All Cam-Lok part numbers available in convenient, single-use, color-coded packaging.
See page 75 for details.

THREE WAY “T” CONNECTORS			ADAPTORS		
COLOR	PARALLELING “T” COMPLETE PART NO. M-M-F	TAPPING “T” COMPLETE PART NO. M-F-F	DOUBLE FEMALE COMPLETE PART NO.	DOUBLE MALE COMPLETE PART NO.	MALE - FEMALE COMPLETE PART NO.
BLACK	E1015-2324	E1015-2312	E1015-2352	E1015-2362	E1015-2336
RED	E1015-2326	E1015-2314	E1015-2354	E1015-2364	E1015-2338
GREEN	E1015-2328	E1015-2316	E1015-2356	E1015-2366	E1015-2340
WHITE	E1015-2329	E1015-2317	E1015-2357	E1015-2367	E1015-2341
BLUE	E1015-2348	E1015-2350	E1015-2358	E1015-2368	E1015-2361
BROWN	E1015-2342	E1015-2370	E1015-2359	E1015-2369	E1015-2371
ORANGE	E1015-2327	E1015-2315	E1015-2355	E1015-2365	E1015-2339
YELLOW	E1015-2325	E1015-2313	E1015-2353	E1015-2363	E1015-2337

PROTECTIVE CAPS		
COLOR	MALE	FEMALE
BLACK	A100793-1	A100792-1
RED	A100793-3	A100792-3
GREEN	A100793-5	A100792-5
WHITE	A100793-6	A100792-6
BLUE	A100793-7	A100792-13
BROWN	A100793-8	A100792-8
ORANGE	A100793-4	A100792-4
YELLOW	A100793-2	A100792-2

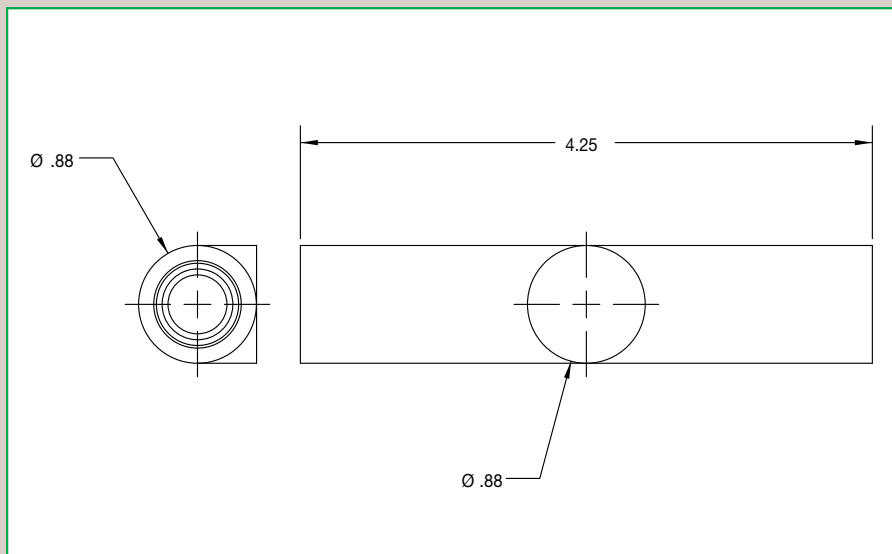


E1015-2314



A100792-1

E1015 Series



CAM-LOK “J” POWER SERIES
RECEPTACLES AND PLUGS PROVIDE THE MEANS TO QUICKLY CONNECT AND DISCONNECT POWER SYSTEMS SAFELY AT CONCERTS AND CARNIVALS AS WELL AS CONNECTING GENERATORS, STANDBY POWER, AND LOAD TESTING IN HOSPITALS, UTILITIES AND HEAVY INDUSTRIAL ENVIRONMENTS.

RATINGS: 600 VOLTS UP TO 150 AMPERES CONTINUOUS

STANDARD MATERIALS
CABLE SIZE: #8 - #4
BODY: SYNTHETIC RUBBER
CONTACT: BRASS

AGENCY APPROVALS
UL LISTED E67181
CSA CERTIFIED LR13963

ENVIRONMENTAL RATING: NEMA 3R